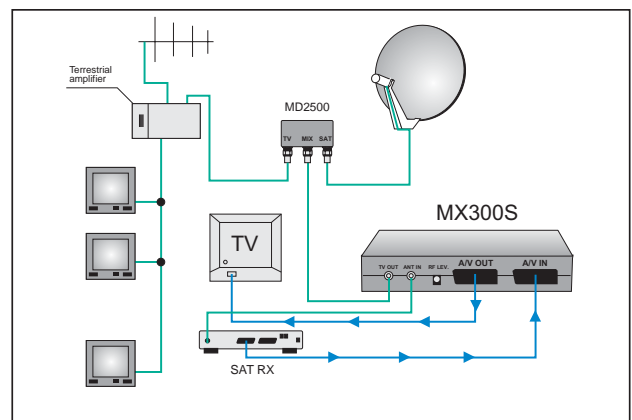
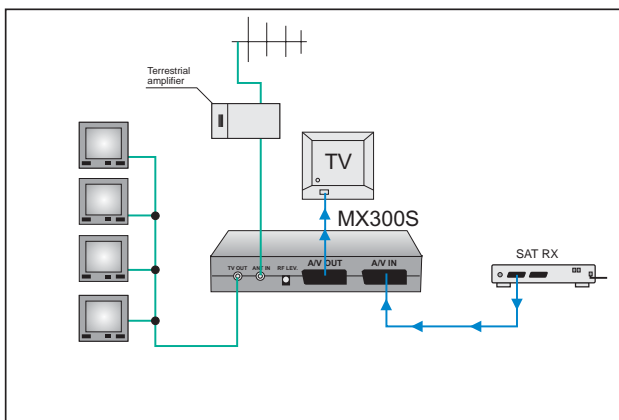


# MX300S

## Audio Video stereo modulator

- All channel VHF - UHF
- PLL quartz cristall oscillator
- Audio stereo
- Preserves Dolby Digital Sorround
- Double SCART connector
- Self powered
- TEST video signal
- RF output 90 dB $\mu$ V adjustable
- Armonics filter soppressor
- Selection of the output ch. by dip-switch
- Permits the mixing of the Terr. and SAT signals
- Attractive ABS box



RF line ————— Audio video line —————

### Technical specifications

#### RF

- Band  
VHF  
CATV  
HYPER  
UHF
  - Output level
  - Automix
  - Ins. loss mix
  - Spuries in the channel
  - Armonics level
- |                          |                      |
|--------------------------|----------------------|
| Channel                  | 38,9                 |
| E2...E12                 | S2...S10 / S11...S20 |
| S21...S38                | 21...70              |
| 90 dB $\mu$ V adjustable | 0/-20 dB             |
| 5...2500 Mhz             | A 2 dB 40...2500 Mhz |
| - 65 dB                  | - 55 dB              |

#### VIDEO

- Input level
  - S/Nratio
  - Modulation deep
  - Input impedance
  - Video modulation
- |              |
|--------------|
| 1 Vpp (nom.) |
| 50 dB        |
| 75%          |
| 75 K         |
| AM           |

#### AUDIO

- Input level
  - Audio carriers (PAL B/G)
  - Preenf.
  - Freq. resp.
  - Distors.
- |                     |
|---------------------|
| 1 Vpp               |
| 5,5 Mhz + 5,742 Mhz |
| 50 $\mu$ S          |
| 40...15.000 Hz      |
| A 0,5%              |

#### DIMENSION

- 200 X 120 X 40 mm

#### STANDARD

PAL B/G